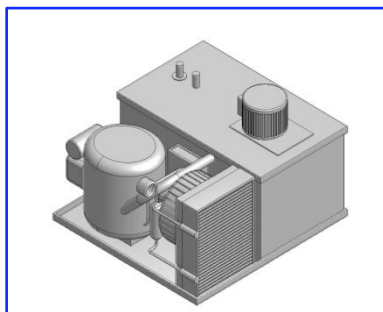


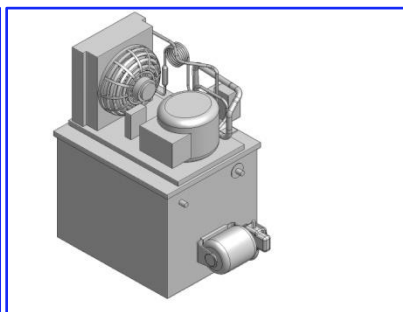


DESCRIPTION

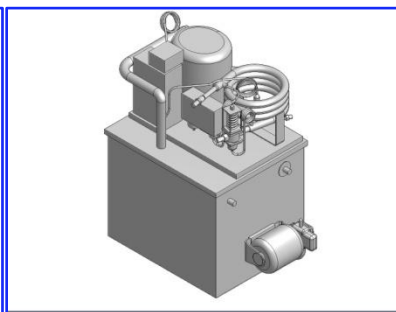
	ECO-033	CWA-3 (CWW-3)	CWA-2 (CWW-2)	CWA-34 (CWW-34)	Double Motor
Voltage AC	120	120	120	208/230	
Running	7.95Amp.	7.1Amp. (6.1Amp.)	8Amp. (8.8Amp.)	5.3Amp. (5.5Amp.)	
Refrigerant	R134a	R-22	R-22	R-22	
Charge	11 oz.	17 oz. (10oz.)	21oz. (15oz.)	36 oz. (16 oz.)	
Tank Capacity	3 gal.	12 gal.	12 gal.	12 gal.	
Foam insulation	1"	1"	1"	1"	
Weight	65 lbs.	106 lbs.	113 lbs.	134 lbs.	
Pump (Gravity Fed)	50 GPH (Vertical)	80 GPH (Gear)	80 GPH (Gear)	80 GPH (Gear)	
Dimensions (inches)*	A: 16.00 B: 21.00 C: 21.00	A: 16.75 B: 20.00 C: 26.50 D: 28.00	A: 16.75 B: 20.00 C: 26.50 D: 28.00	A: 16.75 B: 20.00 C: 26.50 D: 28.00	A: 16.75 B: 26.50 C: 16.50 D: 26.50 E: 22.75



ECO-033



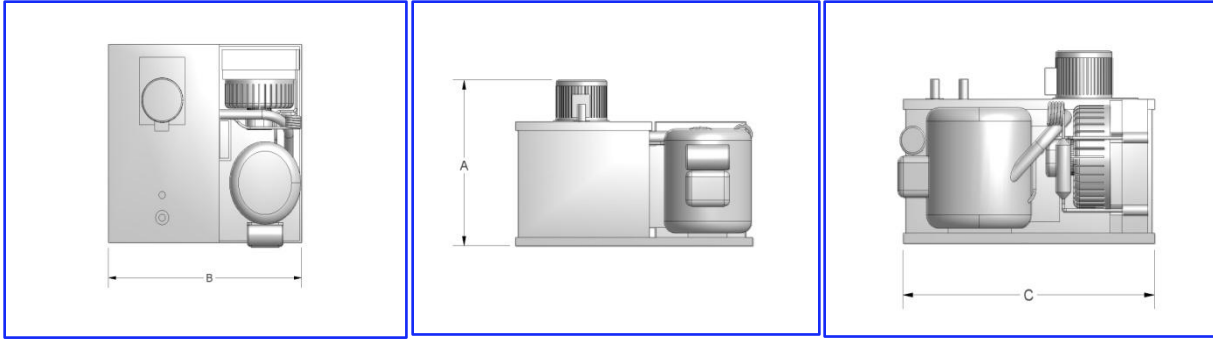
CWA



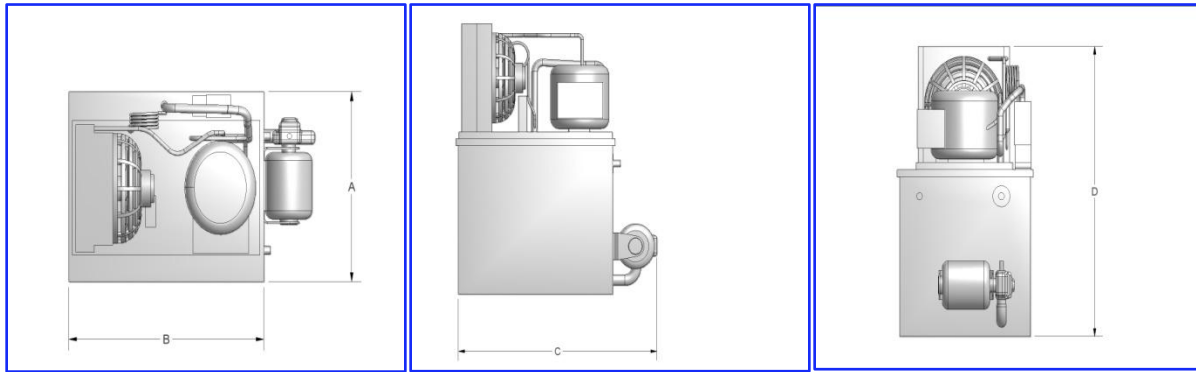
CWW

ECO-033

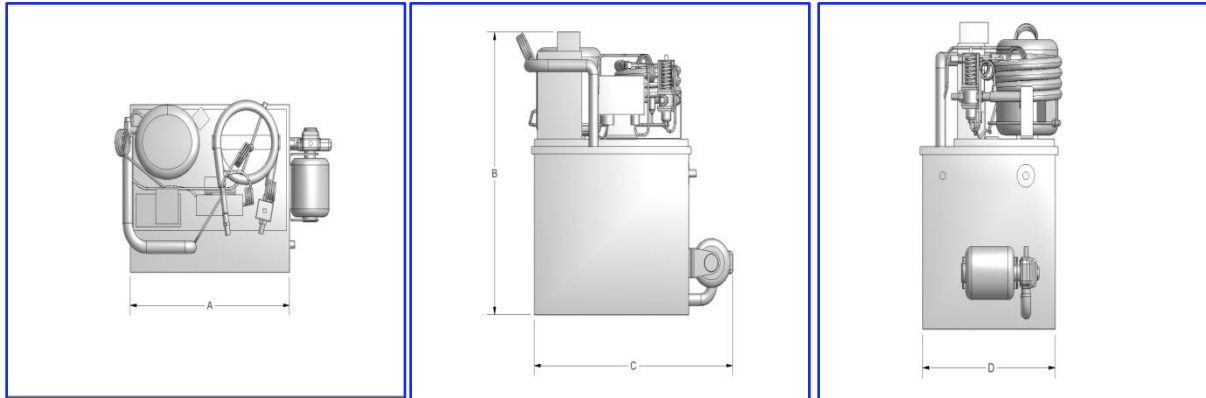




CWA



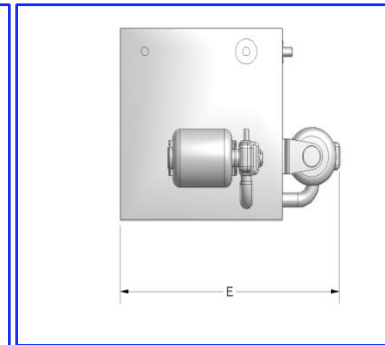
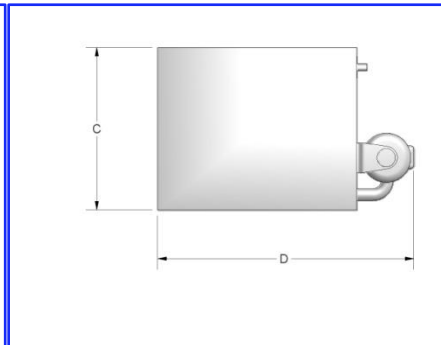
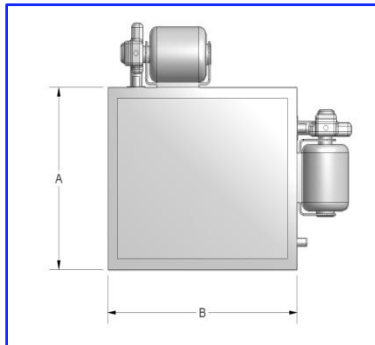
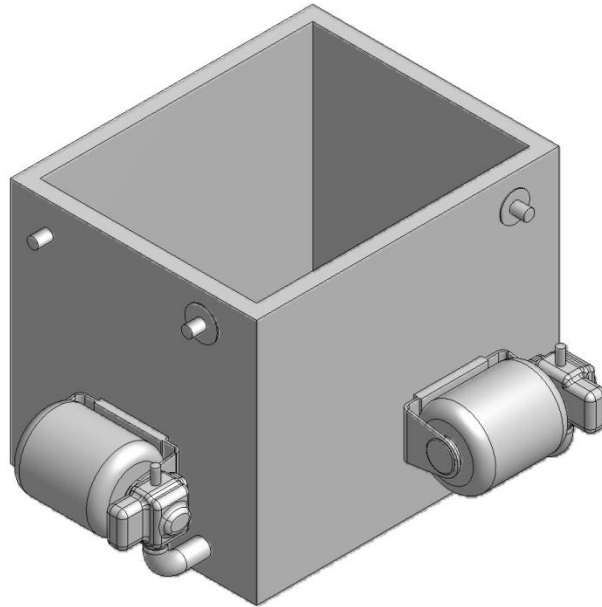
CWW





BVL CONTROLS

Double Motor Bath



Used With CWA or CWW